


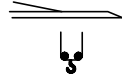


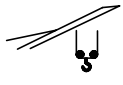

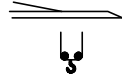



-  ○ TRIPHASE
 -E 400 V
-  ■ MONOTRIPHASE
 -E 230/400 V

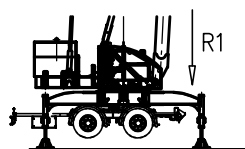
GRU A MONTAGGIO RAPIDO
GRUE A MONTAGE RAPIDE
GRUA DE RAPIDO MONTAJE
GRUA DE MONTAGEM RAPIDA
QUICK SELFRECTING CRANE
HYDRAULISCHER SCHNELLMONTAGEKRAN

Curve di carico – Courbes de charges – Load diagrams – LastKurven – Curvas de cargas

Triphase 400V		30°	<table border="1"> <tr><td>3</td><td>8,4</td><td>10</td><td>12</td><td>14</td><td>16</td><td>18</td><td>20</td><td>22,5</td><td>m</td></tr> <tr><td>2400</td><td>2400</td><td>1935</td><td>1540</td><td>1270</td><td>1075</td><td>930</td><td>815</td><td>700</td><td>kg</td></tr> </table>	3	8,4	10	12	14	16	18	20	22,5	m	2400	2400	1935	1540	1270	1075	930	815	700	kg		<table border="1"> <tr><td>3</td><td>22</td><td>26,6</td><td>m</td></tr> <tr><td>500</td><td>500</td><td>500</td><td>kg</td></tr> </table>	3	22	26,6	m	500	500	500	kg	<table border="1"> <tr><td>3</td><td>22</td><td>26</td><td>m</td></tr> <tr><td>500</td><td>500</td><td>500</td><td>kg</td></tr> </table>	3	22	26	m	500	500	500	kg
	3	8,4	10	12	14	16	18	20	22,5	m																																
	2400	2400	1935	1540	1270	1075	930	815	700	kg																																
	3	22	26,6	m																																						
500	500	500	kg																																							
3	22	26	m																																							
500	500	500	kg																																							
	10°	<table border="1"> <tr><td>3</td><td>8,7</td><td>10</td><td>12</td><td>14</td><td>16</td><td>18</td><td>20,8</td><td>m</td></tr> <tr><td>2400</td><td>2400</td><td>2000</td><td>1590</td><td>1310</td><td>1110</td><td>960</td><td>800</td><td>kg</td></tr> </table>	3	8,7	10	12	14	16	18	20,8	m	2400	2400	2000	1590	1310	1110	960	800	kg																						
3	8,7	10	12	14	16	18	20,8	m																																		
2400	2400	2000	1590	1310	1110	960	800	kg																																		
		<table border="1"> <tr><td>3</td><td>9,9</td><td>12</td><td>14</td><td>16</td><td>18</td><td>20</td><td>22</td><td>24</td><td>26</td><td>27</td><td>m</td></tr> <tr><td>2400</td><td>2400</td><td>1890</td><td>1560</td><td>1330</td><td>1150</td><td>1010</td><td>900</td><td>810</td><td>730</td><td>700</td><td>kg</td></tr> </table>	3	9,9	12	14	16	18	20	22	24	26	27	m	2400	2400	1890	1560	1330	1150	1010	900	810	730	700	kg																
3	9,9	12	14	16	18	20	22	24	26	27	m																															
2400	2400	1890	1560	1330	1150	1010	900	810	730	700	kg																															
		<table border="1"> <tr><td>3</td><td>10,2</td><td>12</td><td>14</td><td>16</td><td>18</td><td>20</td><td>22</td><td>24</td><td>25</td><td>m</td></tr> <tr><td>2400</td><td>2400</td><td>1955</td><td>1620</td><td>1375</td><td>1190</td><td>1050</td><td>935</td><td>840</td><td>800</td><td>kg</td></tr> </table>	3	10,2	12	14	16	18	20	22	24	25	m	2400	2400	1955	1620	1375	1190	1050	935	840	800	kg																		
3	10,2	12	14	16	18	20	22	24	25	m																																
2400	2400	1955	1620	1375	1190	1050	935	840	800	kg																																

MonoTriphase 230/400V		30°	<table border="1"> <tr><td>3</td><td>8,4</td><td>10</td><td>12</td><td>14</td><td>16</td><td>18</td><td>20</td><td>22,5</td><td>m</td></tr> <tr><td>2200</td><td>2200</td><td>1935</td><td>1540</td><td>1270</td><td>1075</td><td>930</td><td>815</td><td>700</td><td>kg</td></tr> </table>	3	8,4	10	12	14	16	18	20	22,5	m	2200	2200	1935	1540	1270	1075	930	815	700	kg		<table border="1"> <tr><td>3</td><td>22</td><td>26,6</td><td>m</td></tr> <tr><td>500</td><td>500</td><td>500</td><td>kg</td></tr> </table>	3	22	26,6	m	500	500	500	kg	<table border="1"> <tr><td>3</td><td>22</td><td>26</td><td>m</td></tr> <tr><td>500</td><td>500</td><td>500</td><td>kg</td></tr> </table>	3	22	26	m	500	500	500	kg
	3	8,4	10	12	14	16	18	20	22,5	m																																
	2200	2200	1935	1540	1270	1075	930	815	700	kg																																
	3	22	26,6	m																																						
500	500	500	kg																																							
3	22	26	m																																							
500	500	500	kg																																							
	10°	<table border="1"> <tr><td>3</td><td>8,7</td><td>10</td><td>12</td><td>14</td><td>16</td><td>18</td><td>20,8</td><td>m</td></tr> <tr><td>2200</td><td>2200</td><td>2000</td><td>1590</td><td>1310</td><td>1110</td><td>960</td><td>800</td><td>kg</td></tr> </table>	3	8,7	10	12	14	16	18	20,8	m	2200	2200	2000	1590	1310	1110	960	800	kg																						
3	8,7	10	12	14	16	18	20,8	m																																		
2200	2200	2000	1590	1310	1110	960	800	kg																																		
		<table border="1"> <tr><td>3</td><td>9,9</td><td>12</td><td>14</td><td>16</td><td>18</td><td>20</td><td>22</td><td>24</td><td>26</td><td>27</td><td>m</td></tr> <tr><td>2200</td><td>2200</td><td>1890</td><td>1560</td><td>1330</td><td>1150</td><td>1010</td><td>900</td><td>810</td><td>730</td><td>700</td><td>kg</td></tr> </table>	3	9,9	12	14	16	18	20	22	24	26	27	m	2200	2200	1890	1560	1330	1150	1010	900	810	730	700	kg																
3	9,9	12	14	16	18	20	22	24	26	27	m																															
2200	2200	1890	1560	1330	1150	1010	900	810	730	700	kg																															
		<table border="1"> <tr><td>3</td><td>10,2</td><td>12</td><td>14</td><td>16</td><td>18</td><td>20</td><td>22</td><td>24</td><td>25</td><td>m</td></tr> <tr><td>2200</td><td>2200</td><td>1955</td><td>1620</td><td>1375</td><td>1190</td><td>1050</td><td>935</td><td>840</td><td>800</td><td>kg</td></tr> </table>	3	10,2	12	14	16	18	20	22	24	25	m	2200	2200	1955	1620	1375	1190	1050	935	840	800	kg																		
3	10,2	12	14	16	18	20	22	24	25	m																																
2200	2200	1955	1620	1375	1190	1050	935	840	800	kg																																

Reazioni – Reactions – Réactions – Eckdrücke – Reacciones – Reações

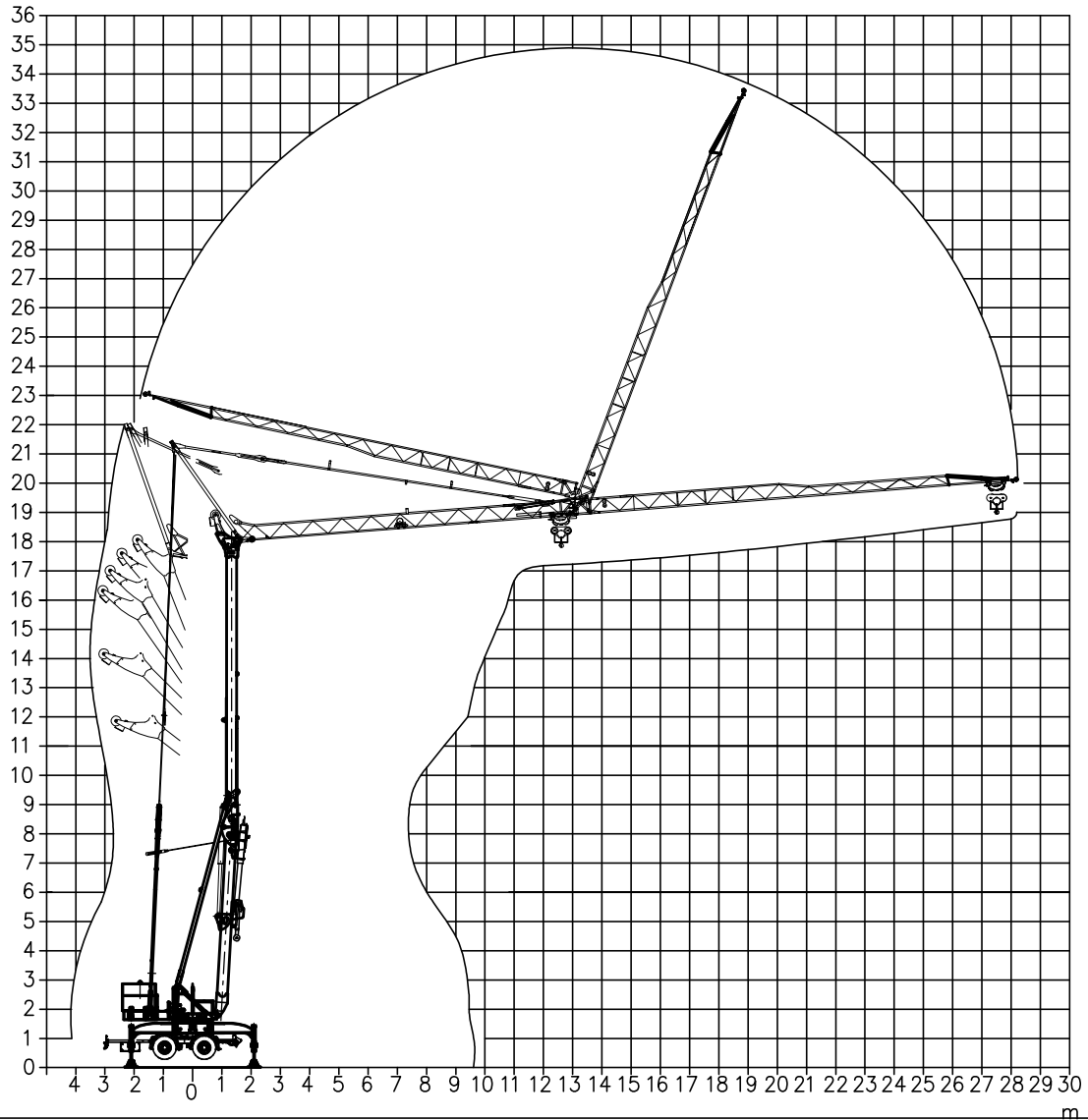


R1 ● 9,6 t ■ 6,6 t

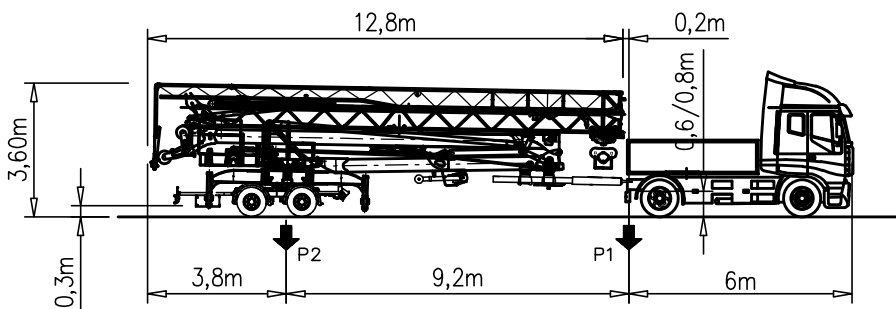
▲ 8,4 t ◆ 8,4 t

- | | | |
|-------------------------------|---------------------------------------|--------------------------------------|
| ● Reazioni in servizio | ● Reactions in service | ● Réactions en service |
| ■ Reazioni fuori servizio | ■ Reactions out of service | ■ Réactions hors service |
| ▲ Peso della gru senza assali | ▲ Dead weight without transport axles | ▲ Poids de construction sans essieux |
| ◆ Peso zavorra rotante | ◆ Ballast weight | ◆ Poids du lest |
-
- | | | |
|--|--|---|
| ● Reaktionskräfte in betrieb | ● Reacciones en servicio | ● Em serviço |
| ■ Reaktionskräfte außer betrieb | ■ Reacciones fuera de servicio | ■ Fora de serviço |
| ▲ Konstruktionsgewicht ohne transportachse | ▲ Peso de la grua sin tren de transporte | ▲ Peso de la grua sem carro de transporte |
| ◆ Ballastgewicht | ◆ Peso de lastre | ◆ Peso de lastre rotativo |

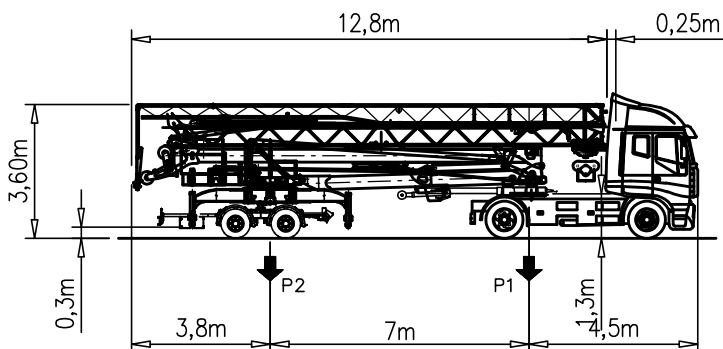
Montaggio – Montage – Erection – Montage – Montaje – Montagem



Trasporto – Transport – Transport – Transport – Transporte – Transporte – 80 km/h



P1	Kg	2200
P2	Kg	18200
Ptot	Kg	20400
◆	Kg	8400



P1	Kg	3000
P2	Kg	17400
Ptot	Kg	20400
◆	Kg	8400

Meccanismi – Mechanisms – Mécanismes – Antriebe – Mecanismos

Triphase 400V	V9.32							V9.32 6.6 kW (9 Hp) 17,5 kVA
		m/min	4	13	32	40		
		t	2.4	2.4	1.0	0.6		
	Sollevamento Hoisting Levage Heben Elevaciòn Elevaçao							

Triphase 400V	Carrello Trolleying Distribuciòn Katzfahren Distribuciòn – Distribuiçao			2a			
				1a	0 → 30	m/min	2.2 kW (Hp 3)
	Rotazione Slewing Orientaciòn Schwenken Rotaciòn – Rotaçao			1a	0 → 0.8	giri/min tr/min rp/min	2.2 kW (Hp 3)
				2a			
				3a			

Mono Triphase 230/400V	V9.32							V9.32 6.6 kW (9 Hp) 17,5 kVA
		m/min	4	11	25	35		
		t	2.2	2.2	1.0	0.6		
	Sollevamento Hoisting Levage Heben Elevaciòn Elevaçao							
			4	13	32	40		
			2.2	2.2	1.0	0.6		

Mono Triphase 230/400V	Carrello Trolleying Distribuciòn Katzfahren Distribuciòn – Distribuiçao			1a			
				1a	0 → 30	m/min	2.2 kW (Hp 3)
	Rotazione Slewing Orientaciòn Schwenken Rotaciòn – Rotaçao			1a	0 → 0.8	giri/min tr/min rp/min	2.2 kW (Hp 3)
				2a			
				3a			

Rete elettrica – Réseau – Mains supply – Netzstrom – Red – Alimentaçao	230/400V – 50 Hz
--	------------------

Potenza elettrica necessaria – Puissance électrique nécessaire Necessary electric power – Anschlusswert – Potencia electrica necesaria	3Hp – 17,5kVA 1Hp – 2kVA
---	-----------------------------

	FMgru s.r.l. via Emilia 11-29010 Pontenure PC ITALY tel. 0523/510446 ric.aut. fax 0523/510365 www.fmgru.it e-mail: info@fmgru.com
--	--

EN 14439-C25 FEM 1.001-A3 2000/14/CE	
--	--



Documento commerciale non contrattuale
Per tutte le informazioni tecniche riferirsi
alle corrispondenti istruzioni

Unverbindliches Vertriebsdokument.
Für technische Informationen, siehe die
entsprechenden Anweisungen.

This commercial document is not legally
binding. For any technical information, please
refer to the corresponding instructions.

Documento comercial no contractual
Para cualquier información técnica,
ver la noticia correspondiente.

Code:			
Ed.	Data	Rev	Data
1	24.03.20	0	24.03.20